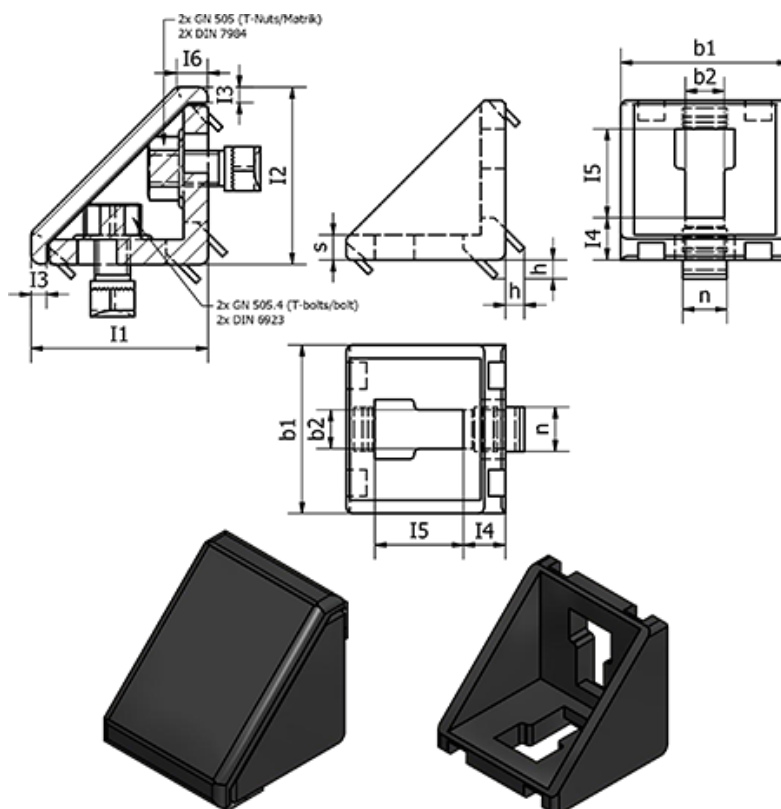


Article number: 209603083030CSW

Description: Angle pieces for profile systems - GN 960-30-8-30-30-C-SW

Measures



b1 = 30	I6 = -
b2 = 6.3	n = 8
h = 2.1	s = 5.9
I1 = 30	Weight (g) = 23
I2 = 30	
I3 = -	
I4 = 9.7	
I5 = 10.4	